

MELIUS

Standard Book of Details

1. Aluminum framed pivot door
2. 90° corner
3. Aluminum framed sliding door
4. Three way intersection
5. Invocco solid wall start
6. Fly-by transition
7. Melius double glazed

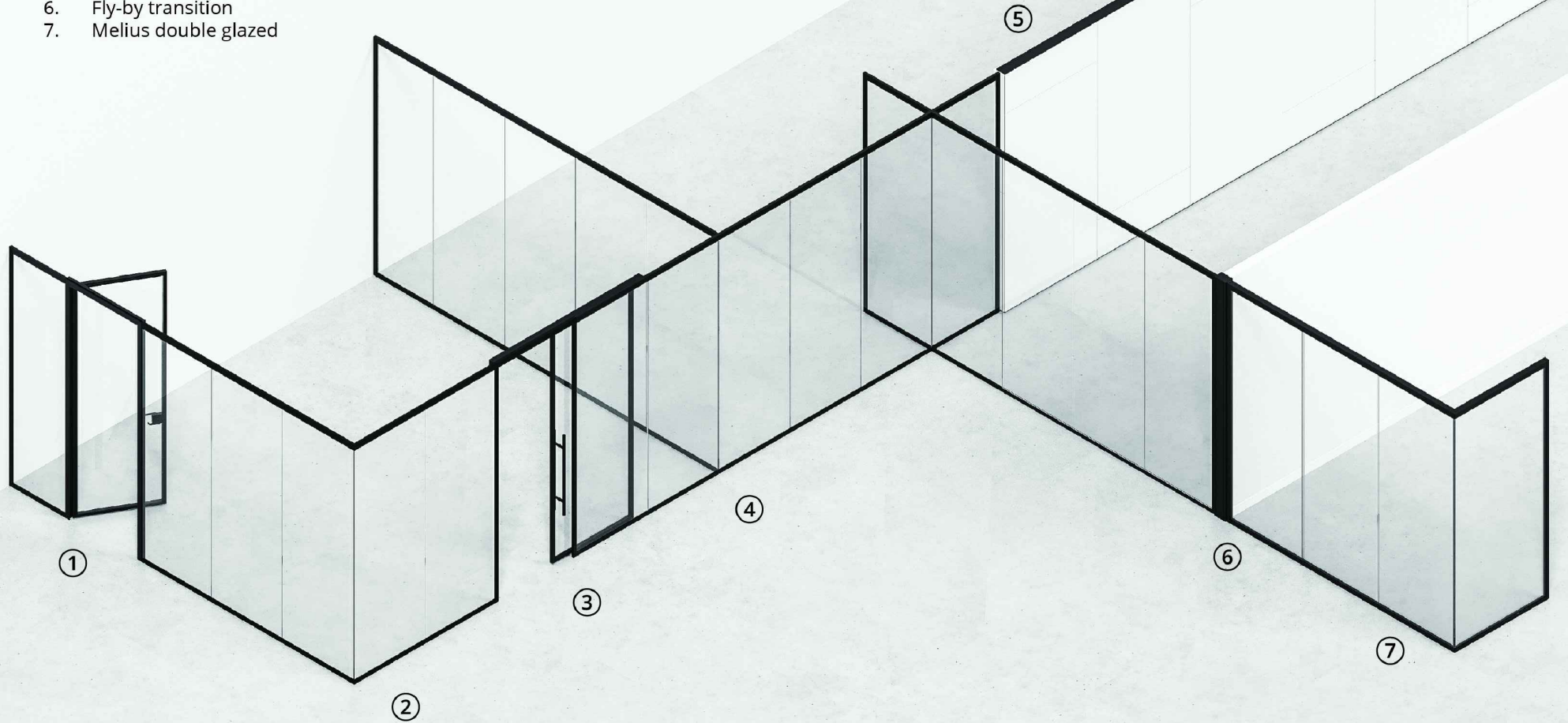


TABLE OF CONTENTS

MELIUS INSTALLATION NOTES & SITE REQUIREMENTS	A01
SLIDING DOOR - INSTALLED INTERIOR SIDE	A02
---- SLIDING DOOR INTERIOR - FLOOR TRADE COORDINATION	A03
---- SLIDING DOOR INTERIOR - BULKHEAD INSTALL	A04
---- SLIDING DOOR INTERIOR - RETURN WALL INSTALL	A05
SLIDING DOOR - INSTALLED EXTERIOR SIDE	A06
---- SLIDING DOOR EXTERIOR - FLOOR TRADE COORDINATION	A07
---- SLIDING DOOR EXTERIOR - BULKHEAD INSTALL	A08
---- SLIDING DOOR EXTERIOR - RETURN WALL INSTALL	A09
SLIDING DOOR WITH WALL START	A10
---- SLIDING DOOR - WALL START INSTALL	A11
SURFACE MOUNTED SLIDING DOOR	A12
---- SURFACE MOUNTED SLIDING DOOR SECTIONS	A13
N/A	A14-A19
PIVOT DOOR SWING ORIENTATION	A20
PIVOT DOOR - LH	A21
---- PIVOT DOOR LH/RH - FLOOR TRADE COORDINATION	A22
---- PIVOT DOOR LH/RH - BULKHEAD INSTALL	A23
---- PIVOT DOOR LH - RETURN WALL INSTALL	A24
PIVOT DOOR - LHR	A25
---- PIVOT DOOR LHR/RHR - FLOOR TRADE COORDINATION	A26
---- PIVOT DOOR LHR/RHR - BULKHEAD INSTALL	A27
---- PIVOT DOOR LHR - RETURN WALL INSTALL	A28
PIVOT DOOR - WALL START AND GWB OPENING REQUIREMENTS	A29
---- PIVOT DOOR WALL START - RETURN WALL INSTALL	A30
N/A	A31-A39
FLY-BY'S WITH SLIDING DOORS	A40
FLY-BY'S WITH PIVOT DOORS	A41
DROP CEILING BLOCKING OPTIONS - 1 OF 2	A42
DROP CEILING BLOCKING OPTIONS - 2 OF 2	A43



MELIUS INSTALLATION NOTES AND SITE REQUIREMENTS

THE PURPOSE OF THIS DOCUMENT IS TO PROVIDE YOUR TEAM WITH CLEAR UNDERSTANDING OF WHAT IS NEEDED TO ENSURE A FLAWLESS INSTALLATION OF YOUR BRIDGEWALL DEMOUNTABLE PARTITIONS.

DEMOUNTABLE PARTITIONS ARE CONSIDERED A FURNITURE ITEM, SO THEIR PLACE IN THE CONSTRUCTION SCHEDULE SHOULD BE AS CLOSE TO TURNOVER AS POSSIBLE. OUR BIGGEST SOURCE OF DAMAGE AND DEFICIENCIES COME FROM OTHER TRADES IMPACTING THE FRAMING AND GLASS WITH TOOLS AND MATERIALS.

WE WILL PERFORM INSTALLATION ONLY AFTER FLOORING AND PAINT ARE COMPLETE.

BY HOLDING OFF INSTALLATION UNTIL SITE IS READY, YOU CAN BE INSURED OF A FAST, EFFICIENT INSTALLATION, WITH MINIMAL DEFICIENCIES.

OUR PROCESS IS AS FOLLOWS:

1. ONCE WALLS AND BULKHEADS ARE FRAMED AND DRYWALLED, WE ATTEND SITE TO PERFORM DETAILED SITE MEASUREMENTS
 - 1.1. WE WILL REQUIRE CONFIRMATION OF FLOORING THICKNESS IF NOT ALREADY INSTALLED
2. WE BEGIN FABRICATING TO THE CONFIRMED SITE DIMENSIONS AND PREPARE GLASS ORDER
 - 2.1. NOTE - WE HAVE A LEAD TIME OF 3-4 WEEKS AFTER COMPLETED SITE MEASUREMENTS FOR STANDARD COLOURS AND PULL HANDLES
3. ONCE PAINT AND FLOORING ARE COMPLETE AND MOST TRADES ARE OFF SITE, WE INSTALL YOUR OFFICE PARTITIONS.
4. DURING AND AFTER INSTALL, WE COMPLETE QUALITY CHECKLISTS TO ENSURE ALL COMPONENTS ARE IN EXCELLENT CONDITION AND DOORS ARE FUNCTIONAL
5. WE WILL WALK THROUGH THE COMPLETED INSTALL WITH YOUR TEAM TO ENSURE THERE ARE NO DEFICIENCIES

PRIOR TO INSTALL MOBILIZATION, A REPRESENTATIVE FROM BRIDGEWALL WILL REVIEW THE SITE TO ENSURE ALL AREAS ARE READY FOR US. IF SITE CONDITIONS ARE NOT SUITABLE FOR A CLEAN AND EFFICIENT INSTALLATION, WE WILL WORK WITH YOUR TEAM TO RESCHEDULE FOR WHEN SITE IS READY. THIS IS HOW YOU WILL GET THE HIGHEST QUALITY RESULT FROM OUR TEAM

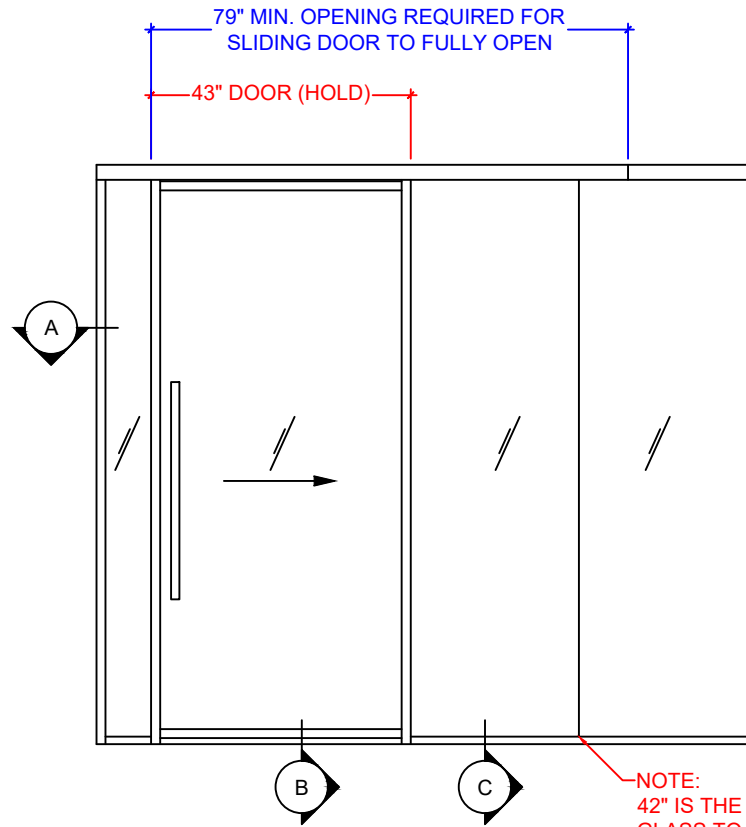
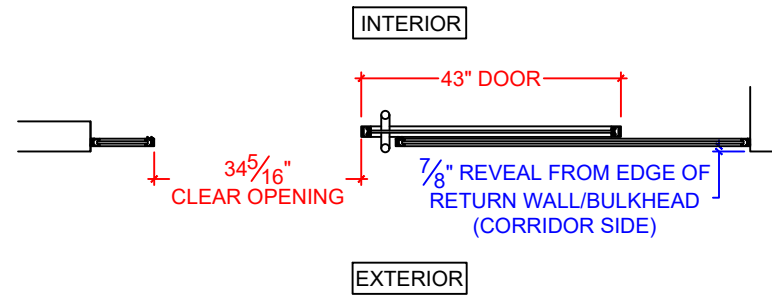
BLOCKING INFORMATION

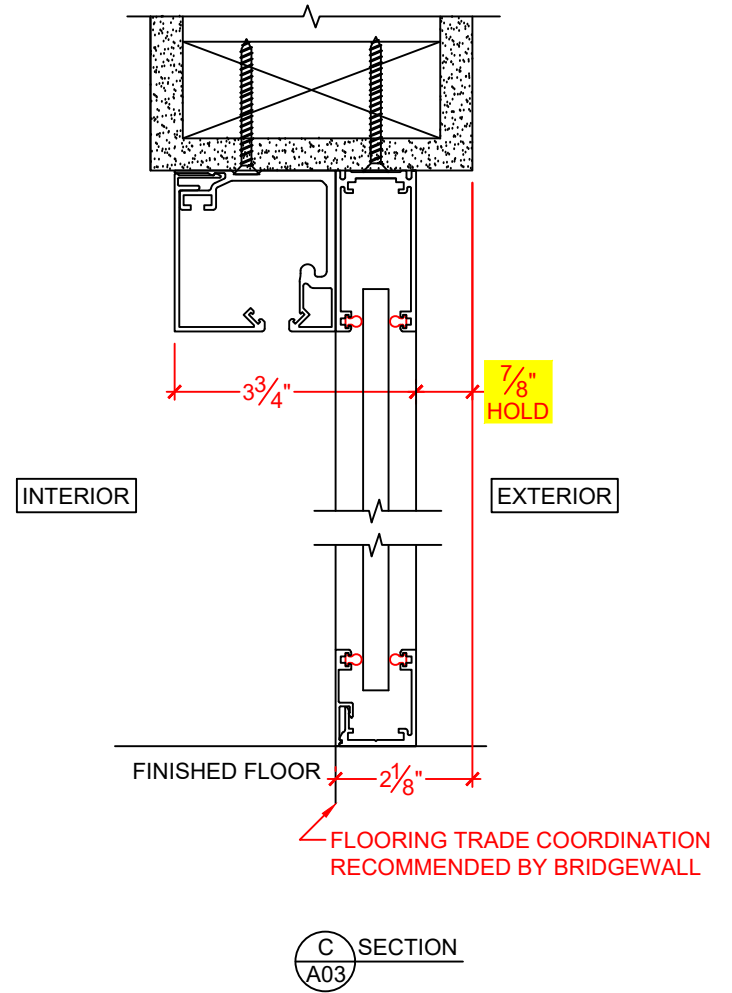
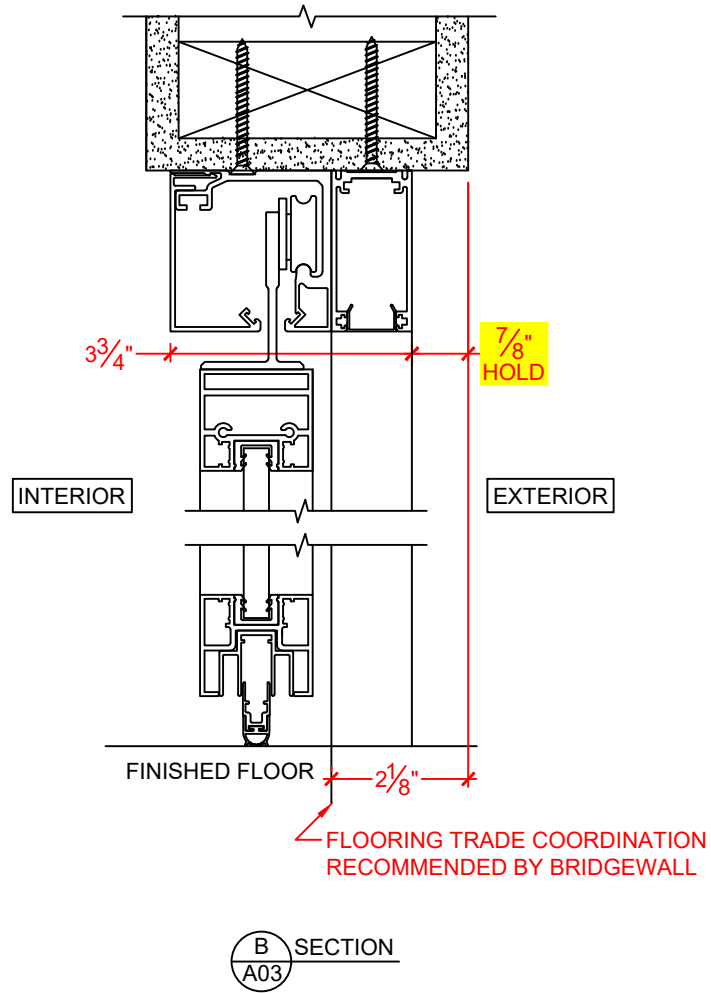
BLOCKING - DUE TO FASTENERS REQUIRED TO SUPPORT YOU GLASS SYSTEM, WALLS AND BULKHEADS (OR CEILING STRUCTURE) REQUIRE A MINIMUM OF 1-1/2" OF WOOD BLOCKING. THIS CAN BE ATTAINED WITH TWO LAYERS OF 3/4" PLYWOOD OR SOLID LUMBER. BLOCKING IS BY OTHERS

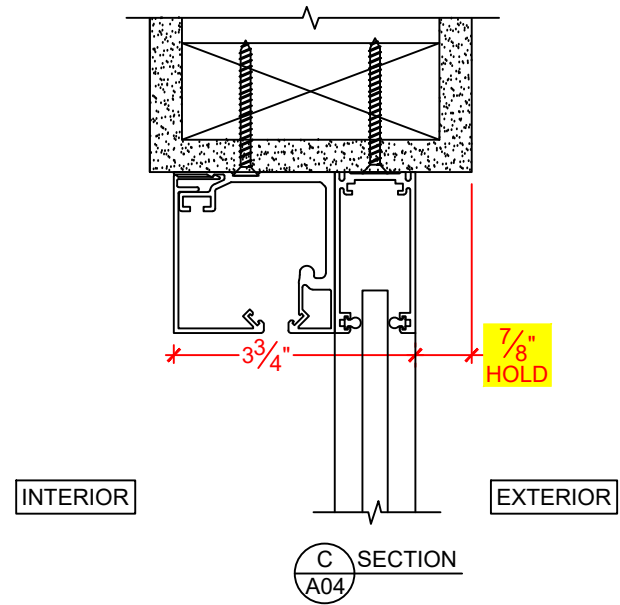
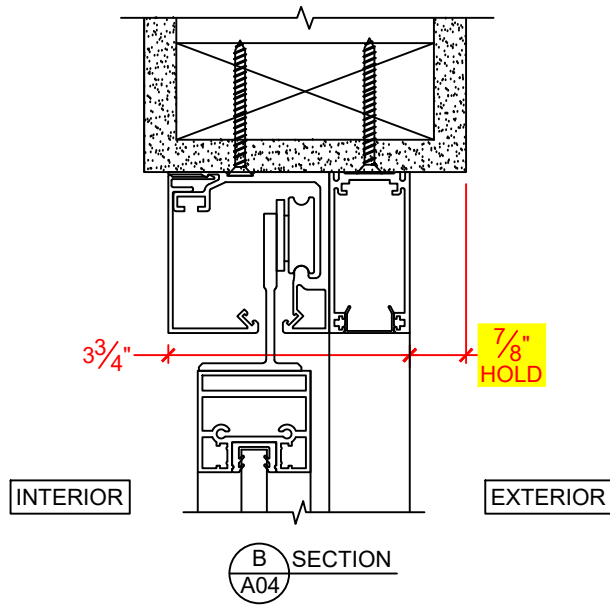
MASONRY WALLS/BRICK/CINDER BLOCK - UTILIZES PLASTIC ANCHORS IN HOLES DRILLED BY OUR INSTALLATION TEAM. CARE SHOULD BE EXERCISED TO ENSURE DESIGN DOES NOT POSITION OUR WALL START TOO CLOSE TO A CORNER AS THIS INCREASES THE RISK OF BREAKOUT IN BRITTLE SUBSTRATES. RECOMMENDED MINIMUM 50mm (2") FROM ANY EDGES FOR DRILLING LOCATIONS

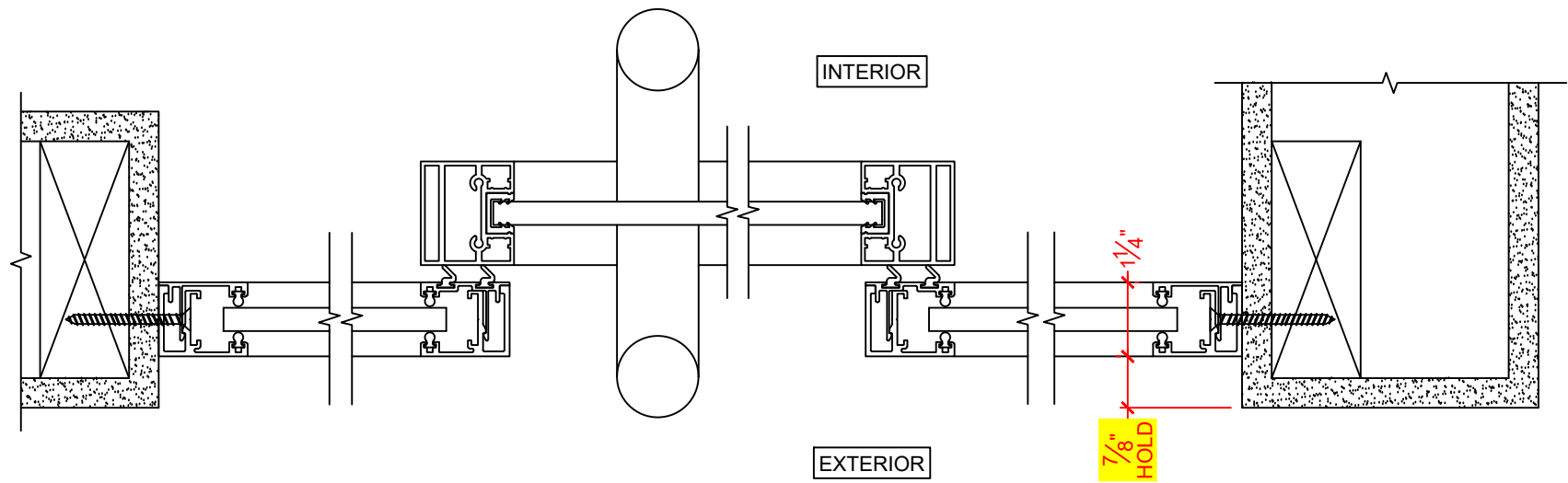
POST TENSION SLABS - OUR SYSTEM PENETRATES CONCRETE BY 1", IF THERE ARE SHALLOW CABLES, FLOOR SCANNING WILL NEED TO BE COMPLETED BY THE CONTRACTOR AND REFERENCED ON FINISHED FLOOR OR REFLECTED ON THE CEILING ABOVE. COSTS OF SCANNING OR RE-SCANS AS NECESSARY ARE BY THE GENERAL CONTRACTOR



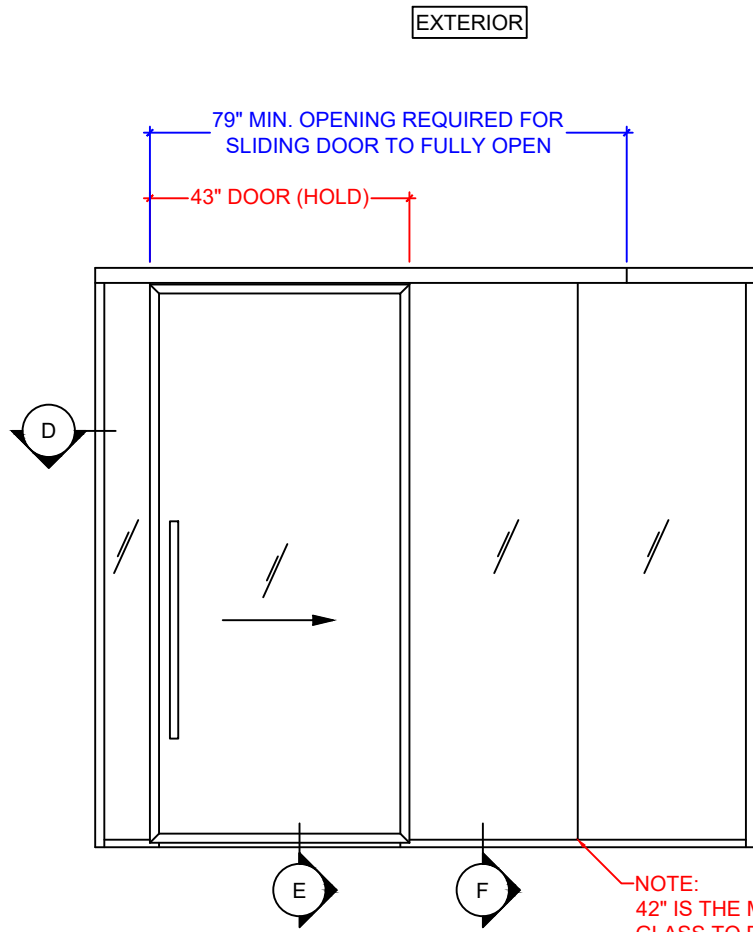
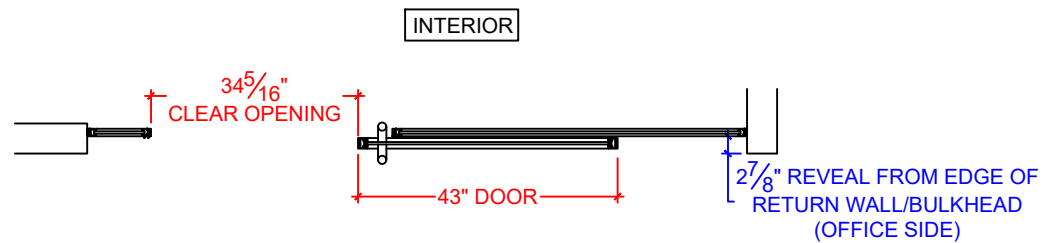




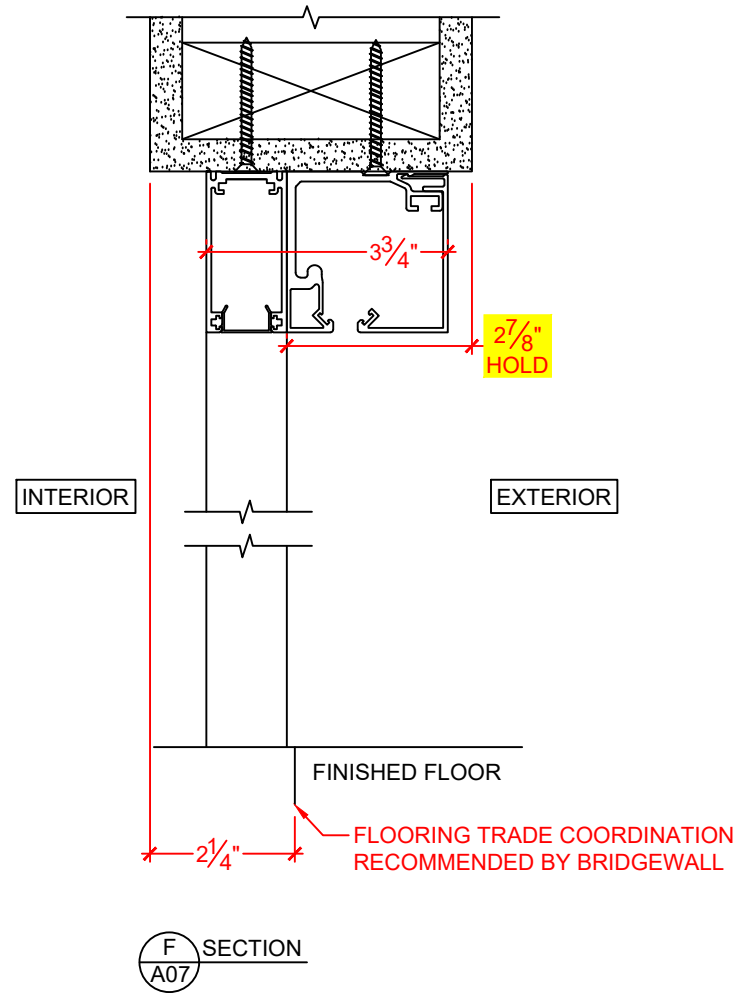
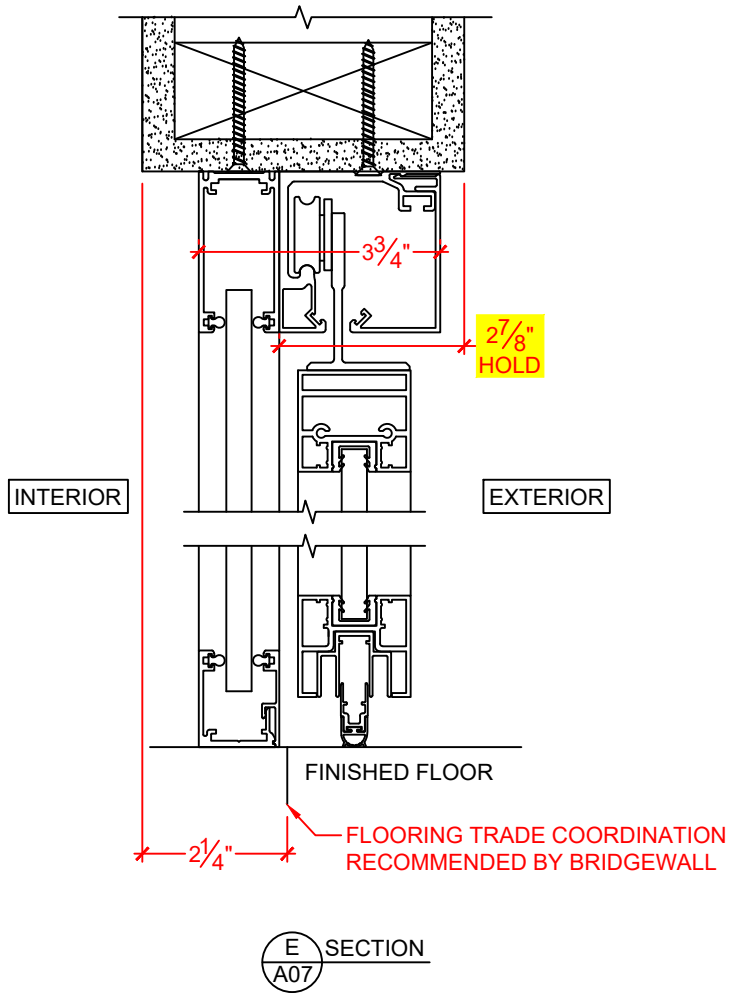


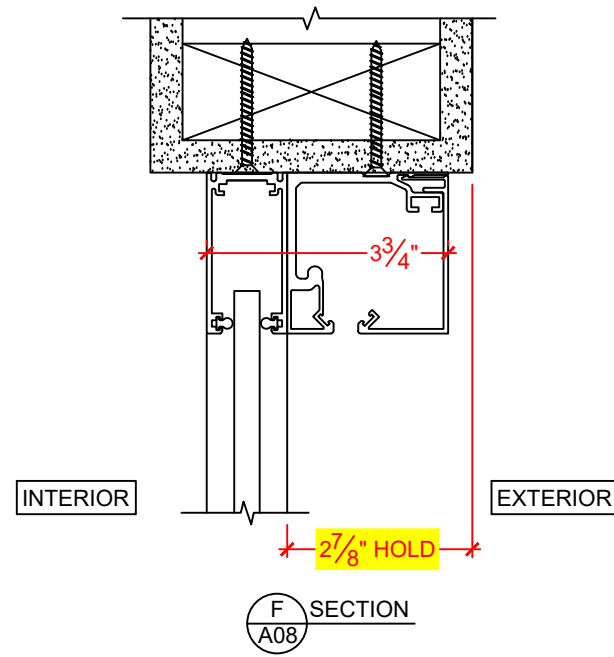
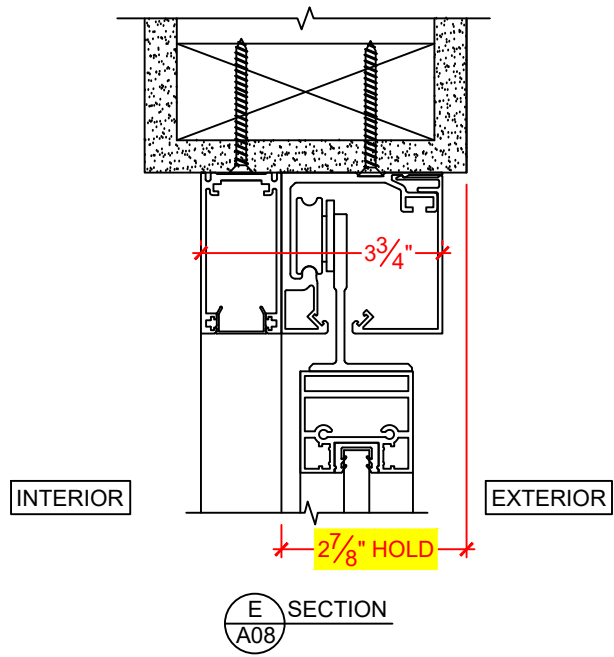


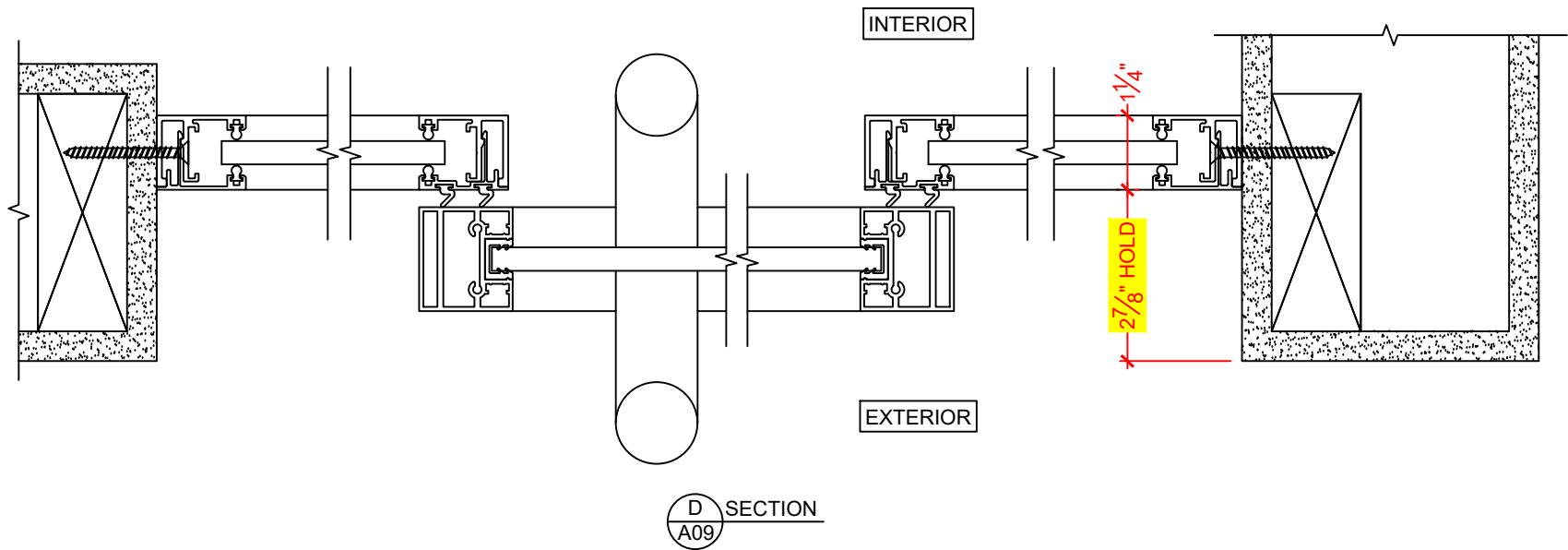
A SECTION
A05

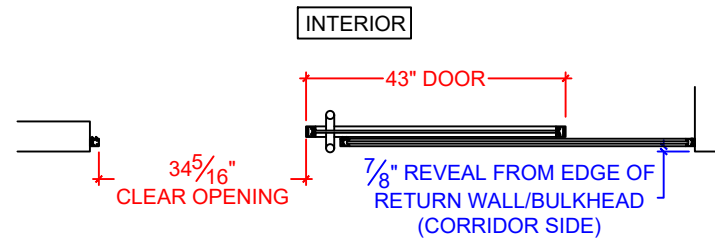


NOTE:
42" IS THE MAX. GLASS PANEL WIDTH.
GLASS TO BE SPLIT EQUALLY IF 42" IS EXCEEDED.

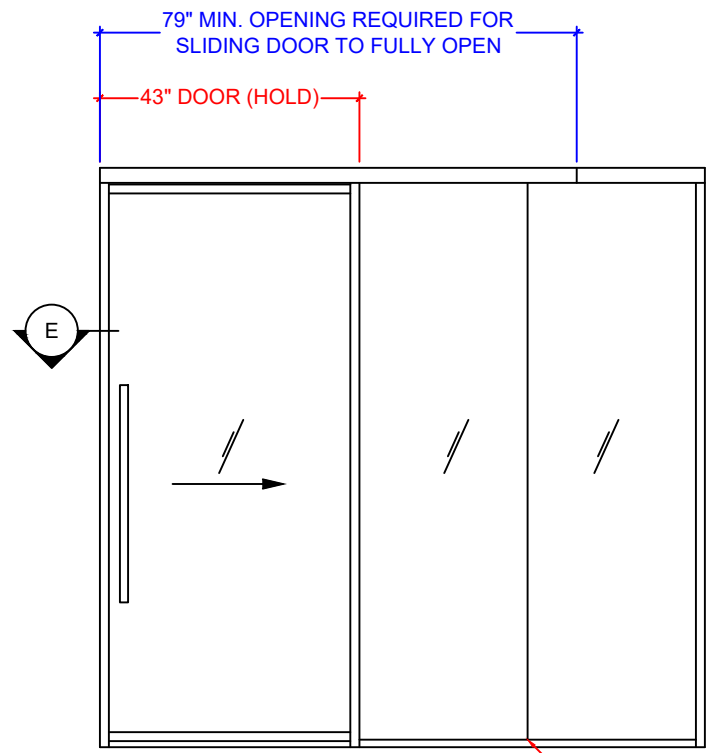




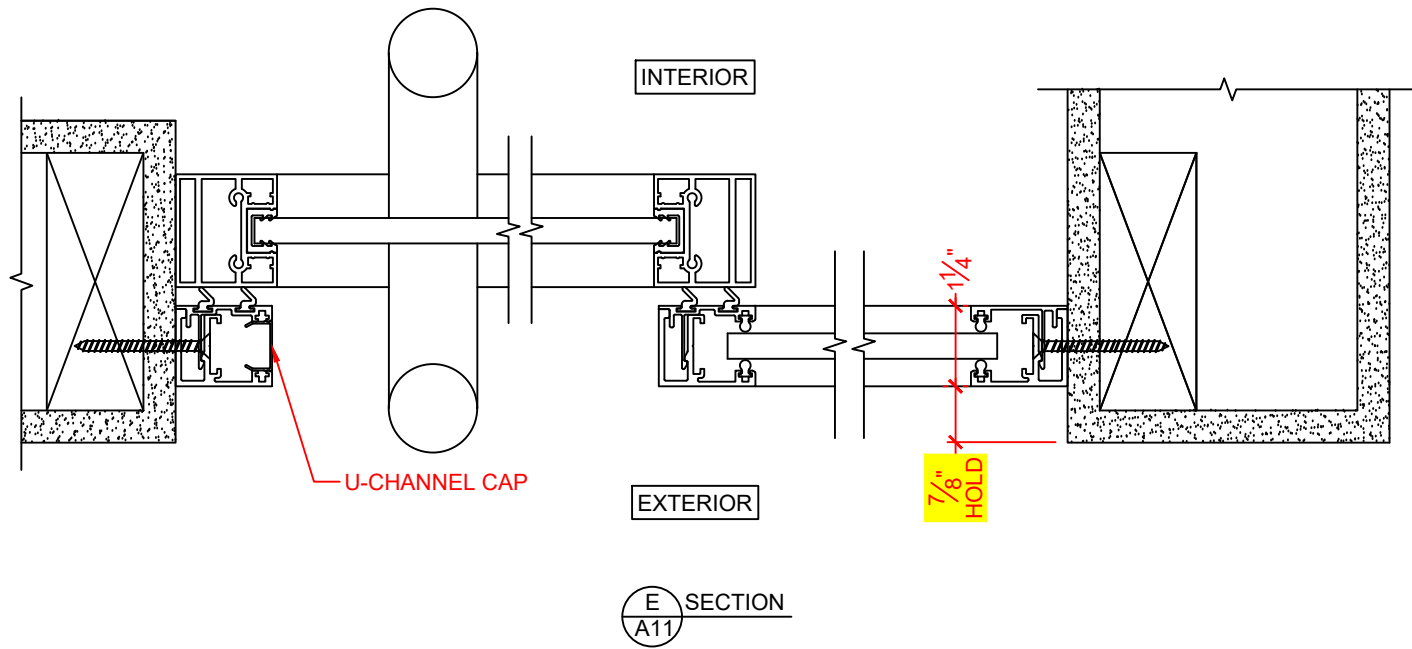




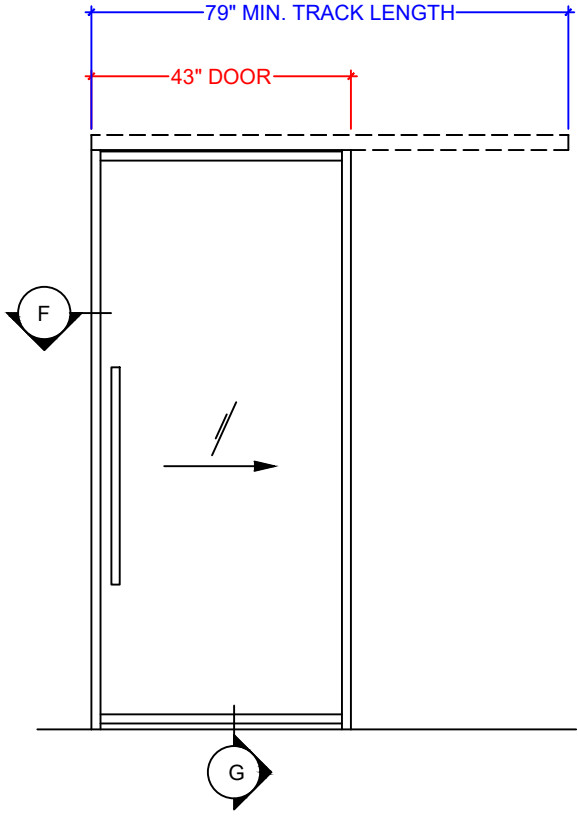
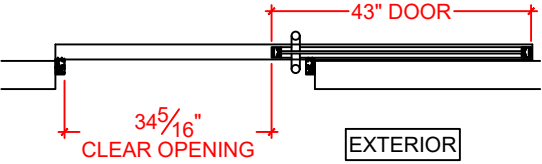
EXTERIOR

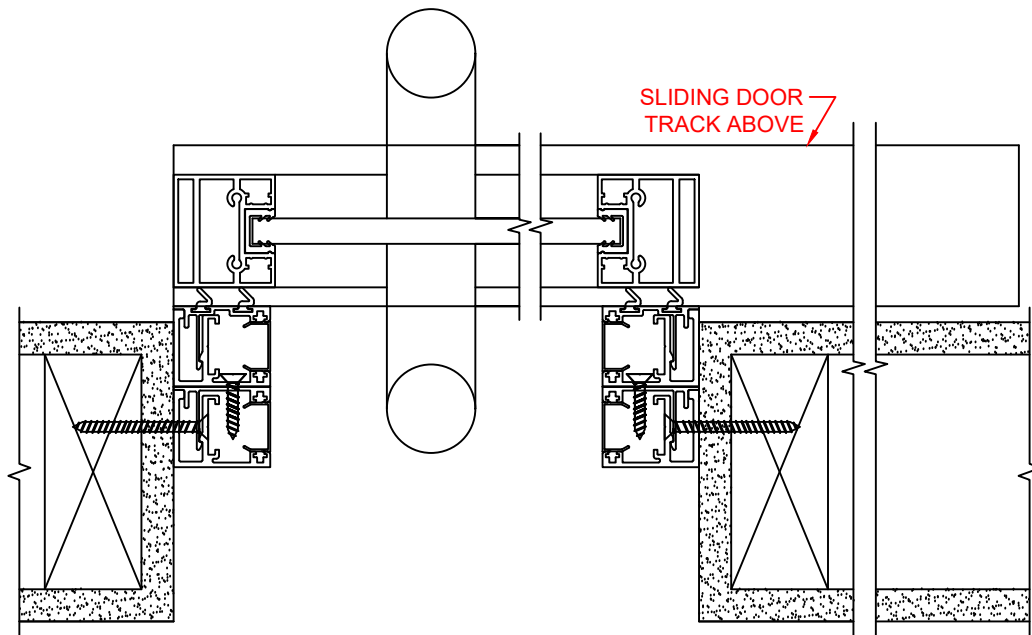


NOTE:
 42" IS THE MAX. GLASS PANEL WIDTH.
 GLASS TO BE SPLIT EQUALLY IF 42" IS EXCEEDED.

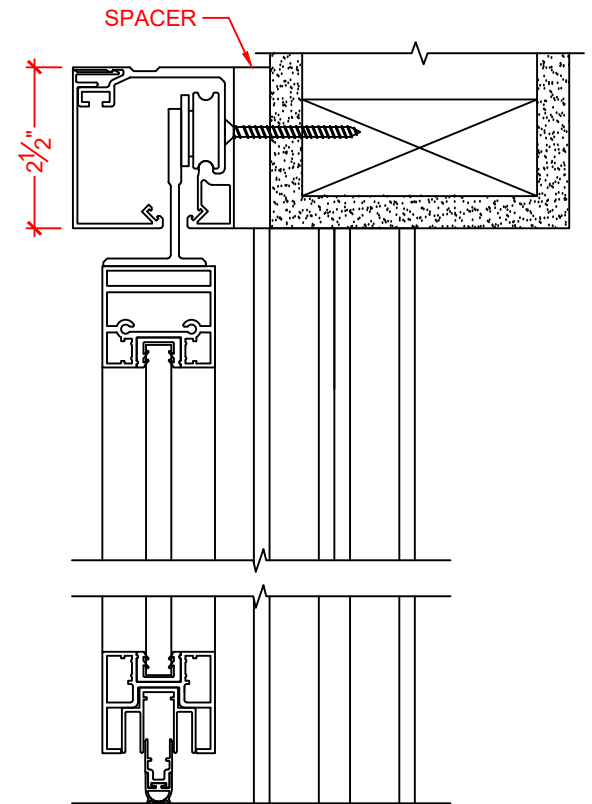


INTERIOR



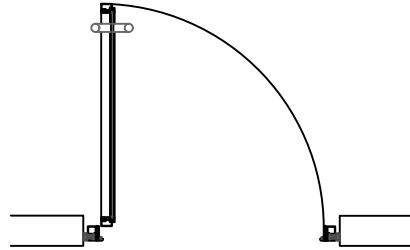


F SECTION
A13

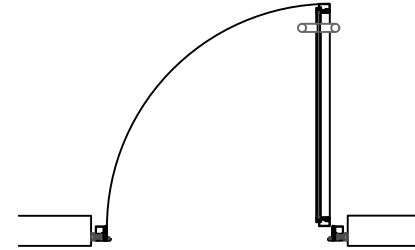


FINISHED FLOOR

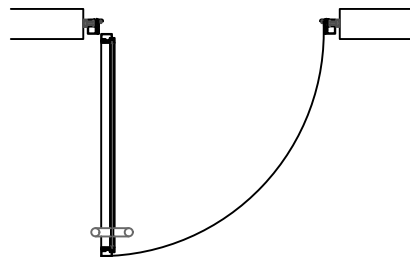
G SECTION
A13



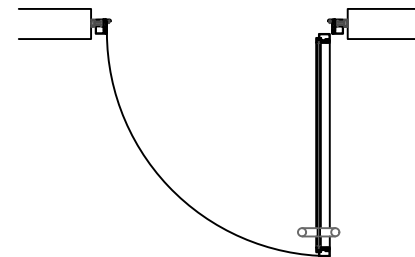
LEFT HAND (LH)



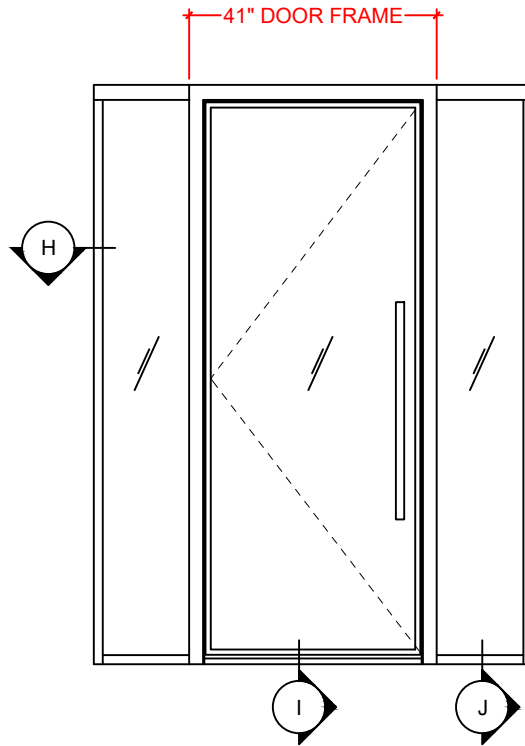
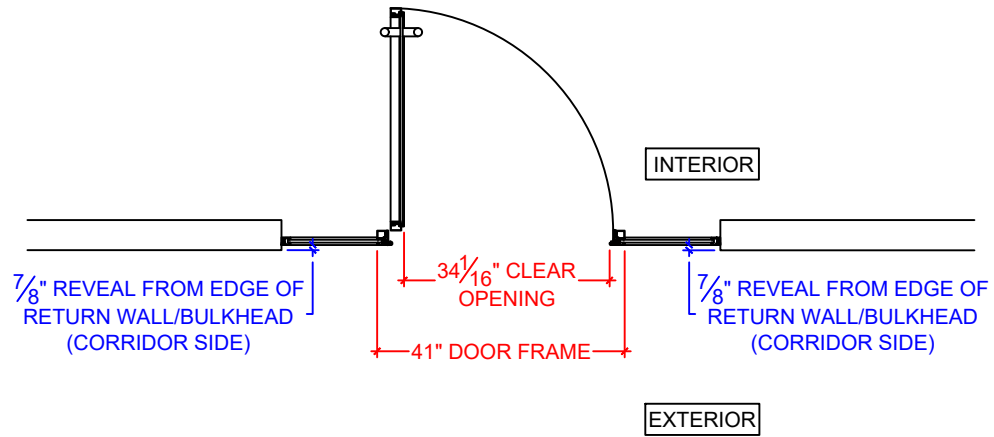
RIGHT HAND (RH)

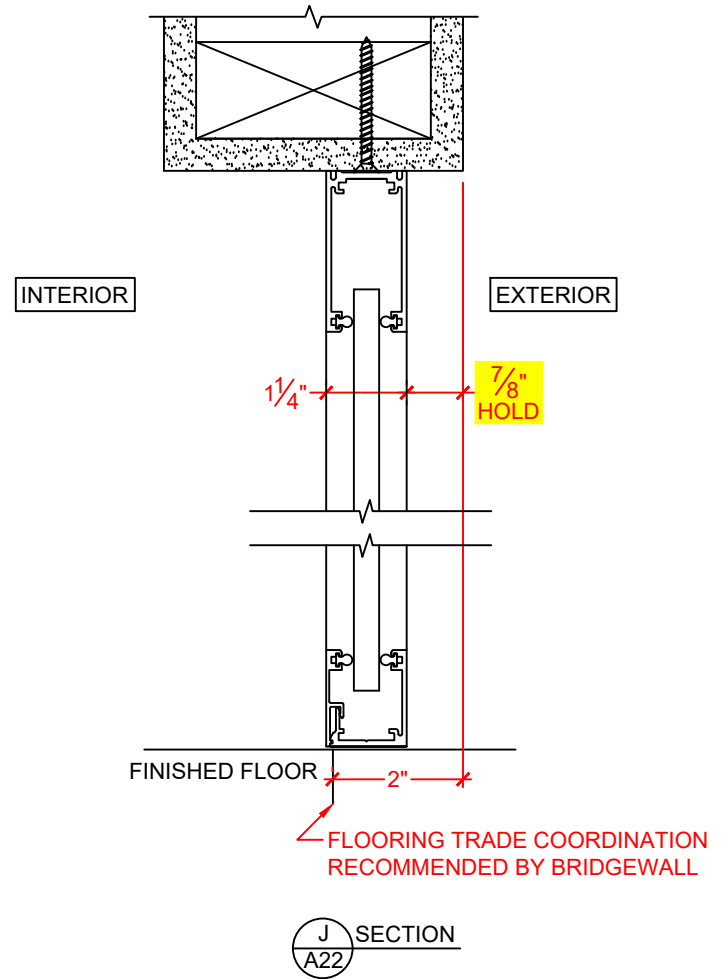
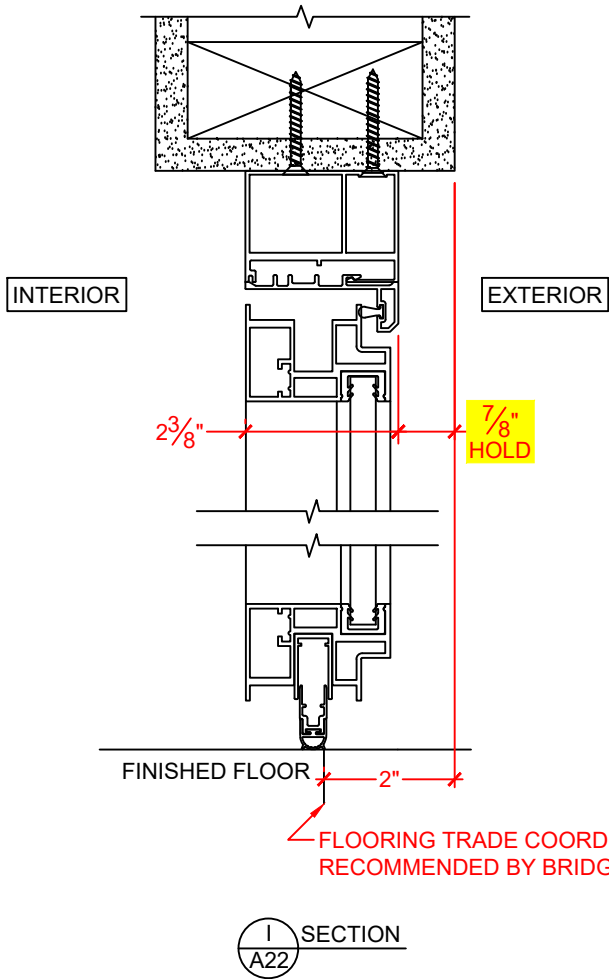


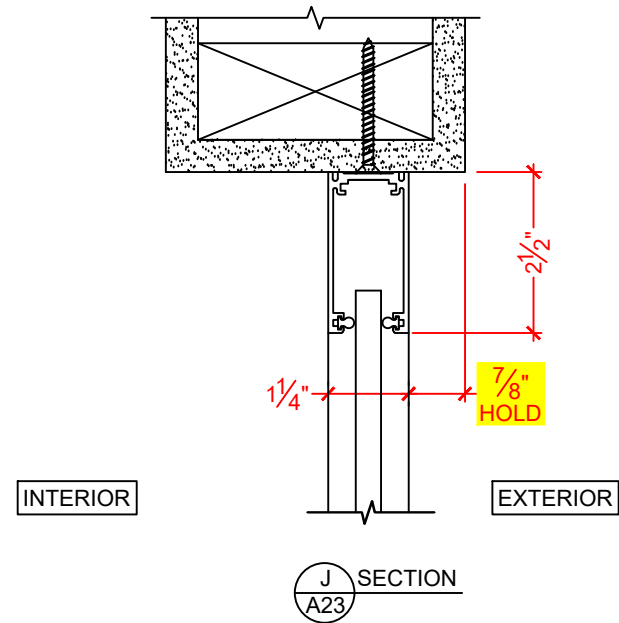
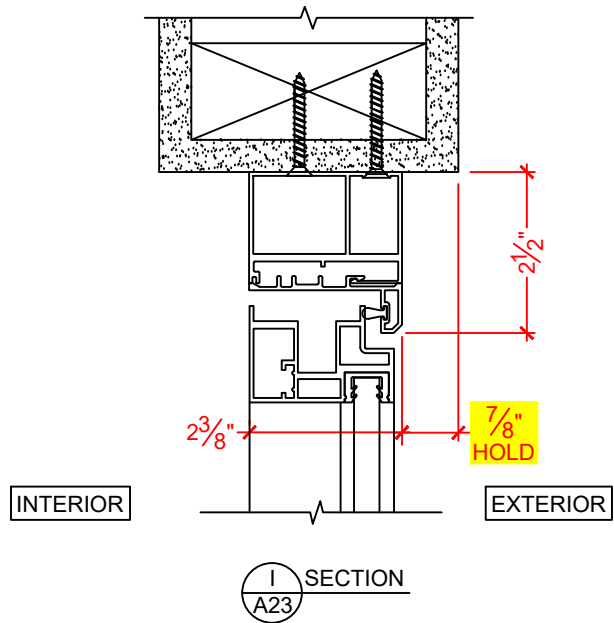
LEFT HAND REVERSE (LHR)

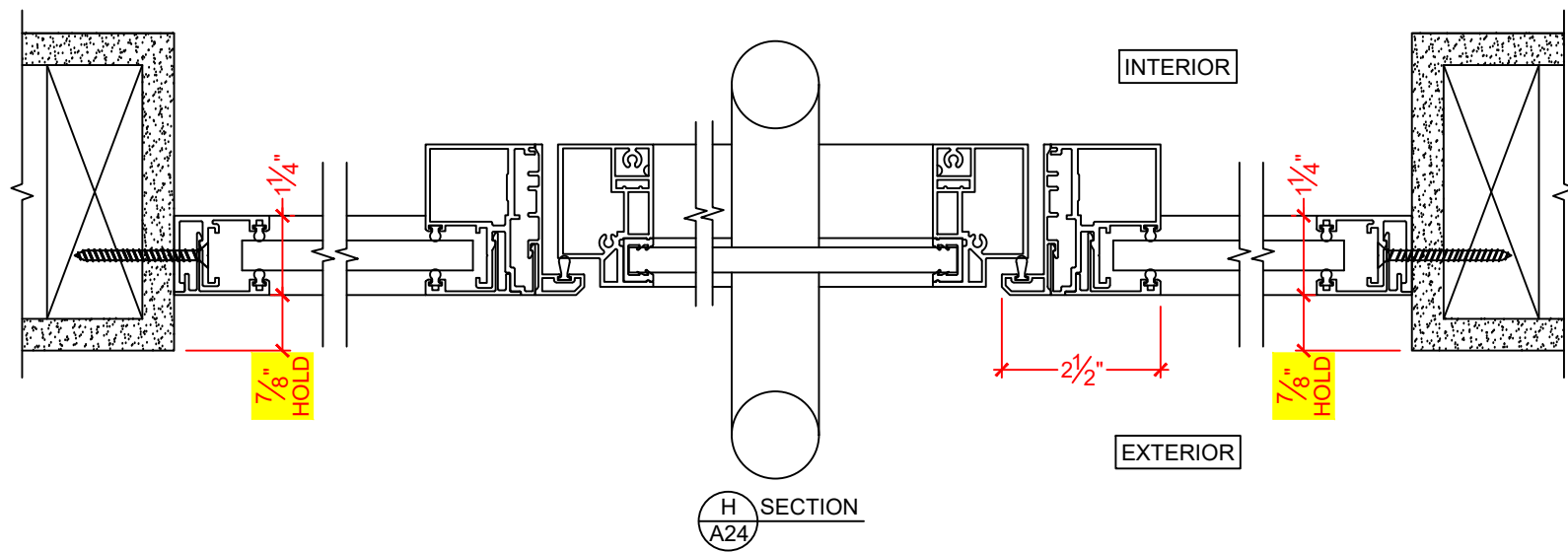


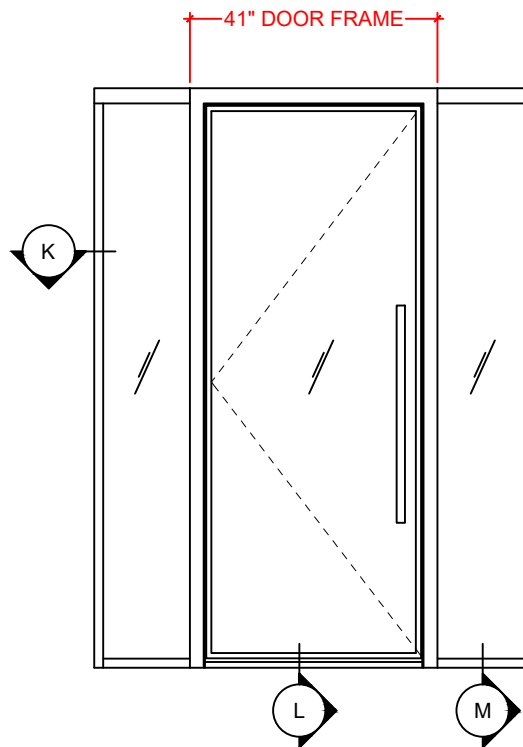
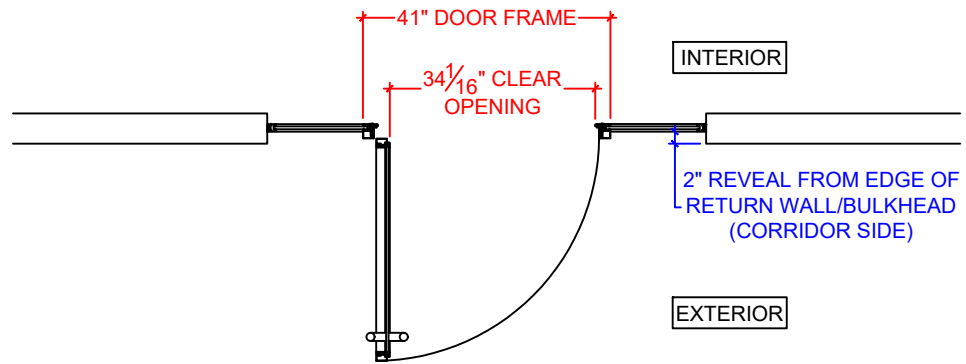
RIGHT HAND (RHR)

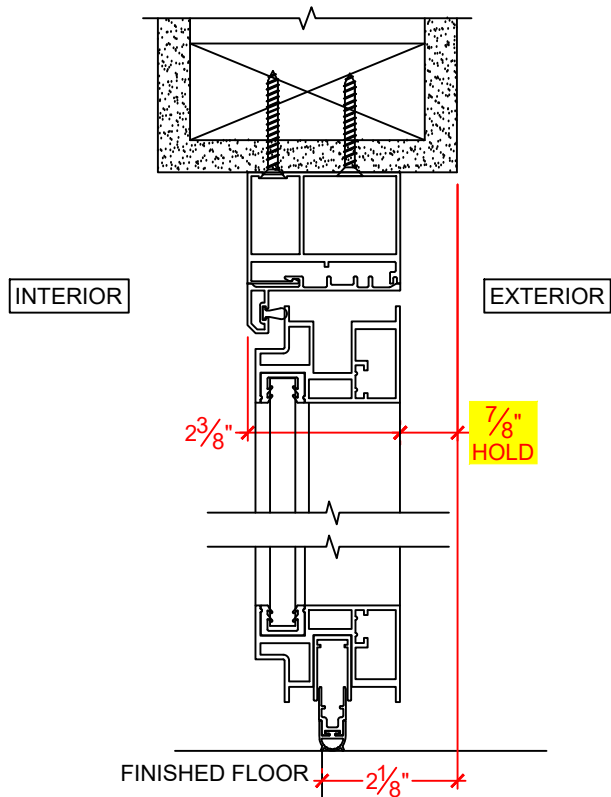






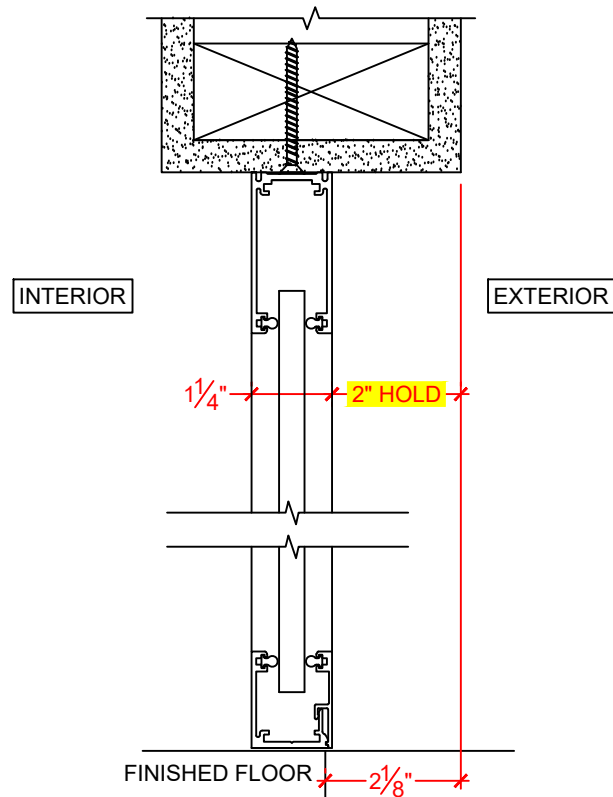






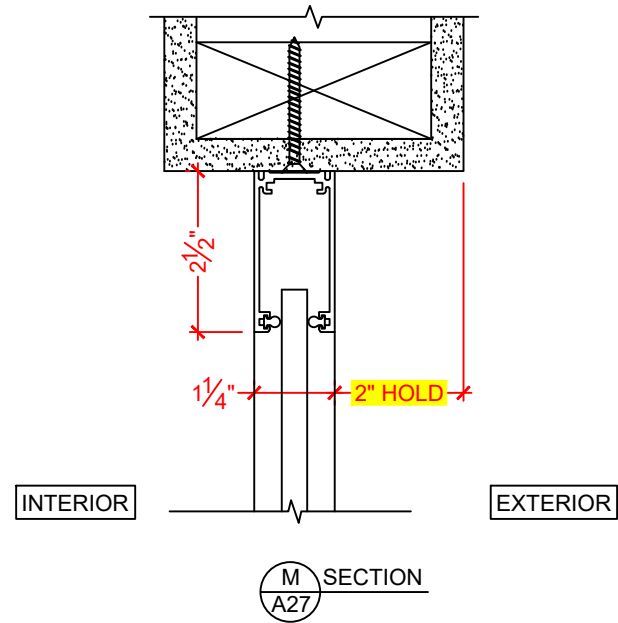
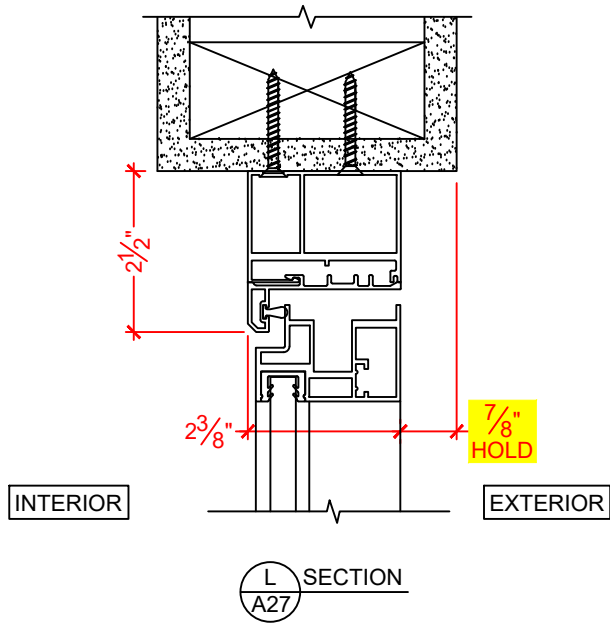
FLOORING TRADE COORDINATION
RECOMMENDED BY BRIDGEWALL

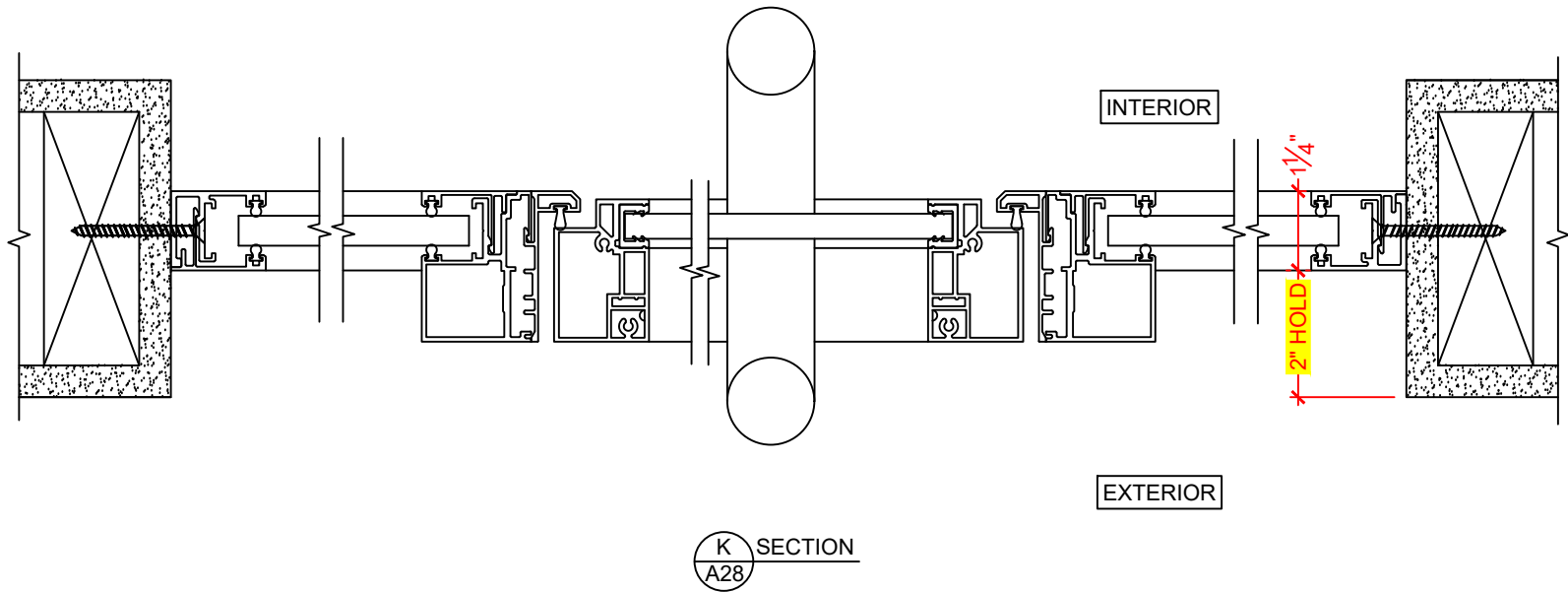
L SECTION
A26

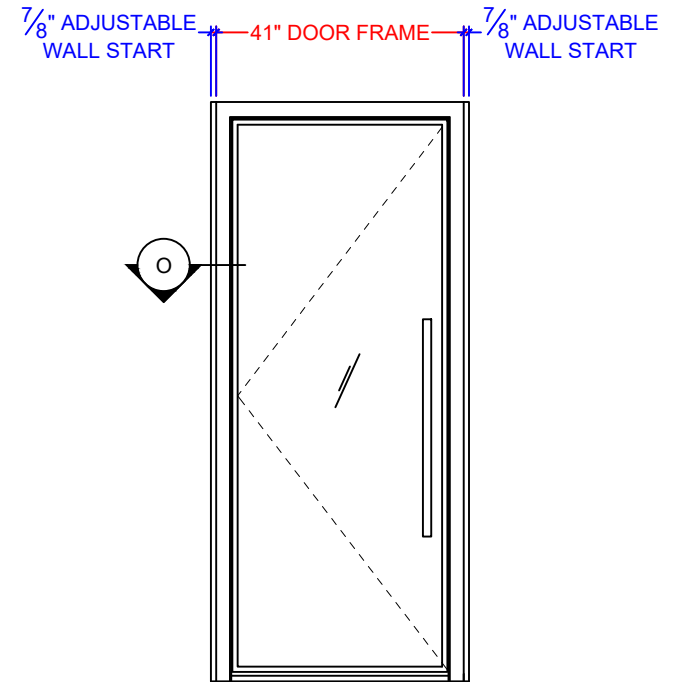
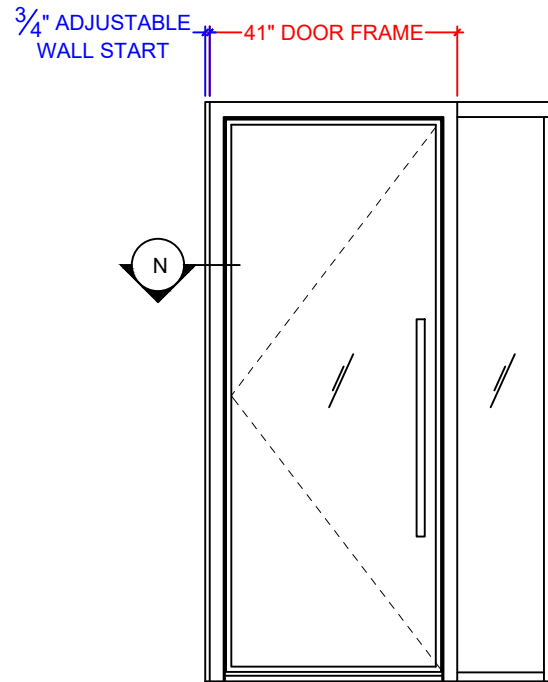
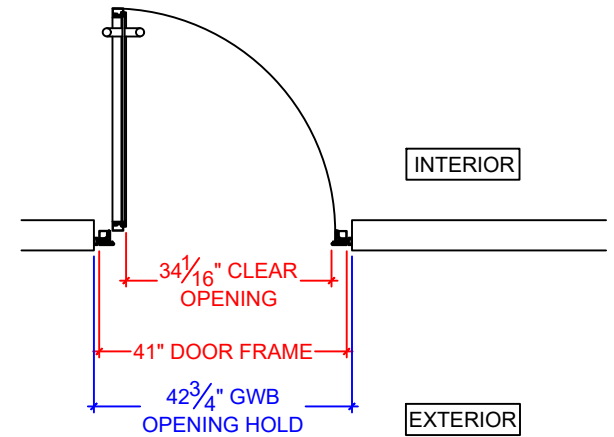
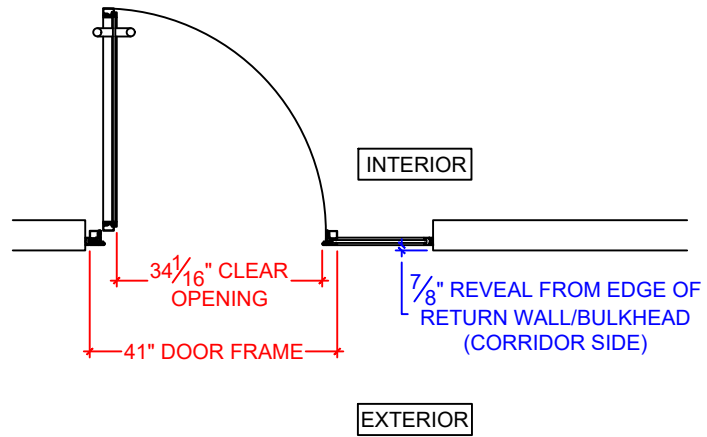


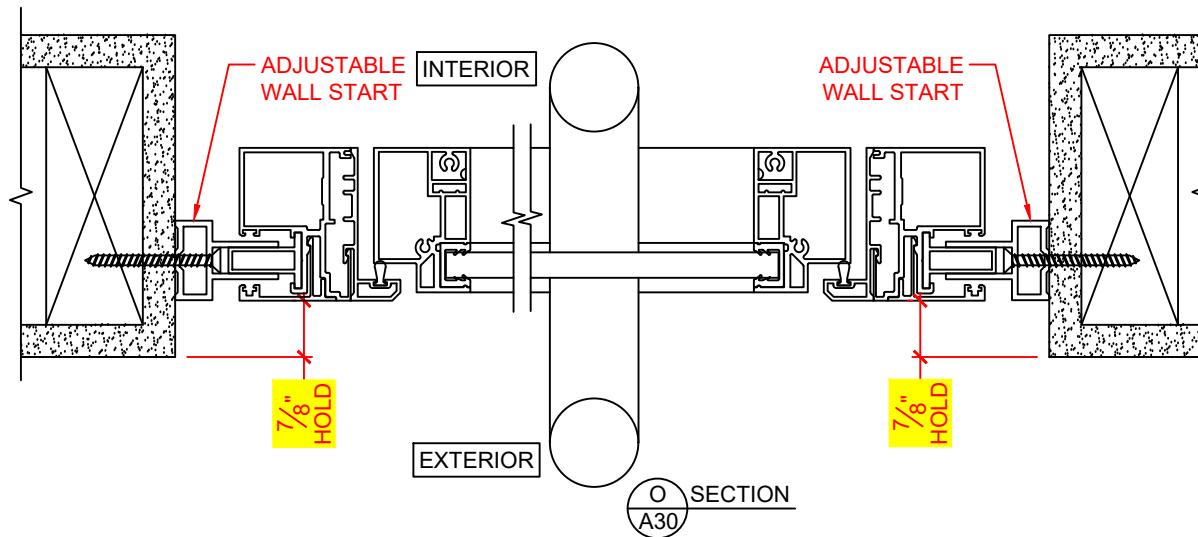
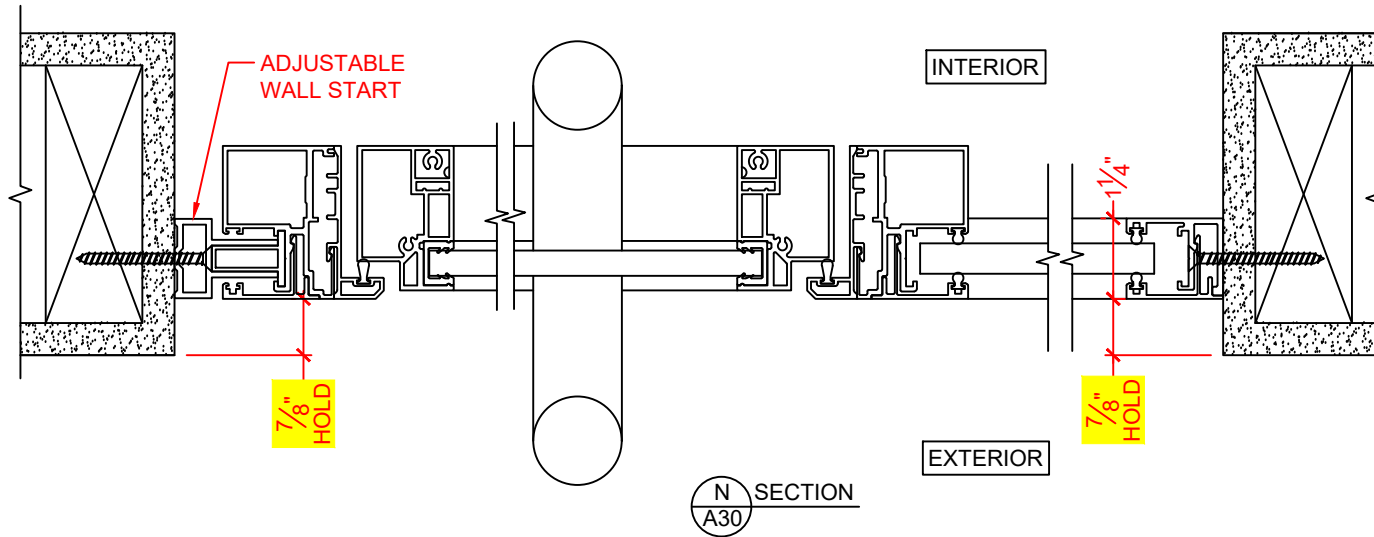
FLOORING TRADE COORDINATION
RECOMMENDED BY BRIDGEWALL

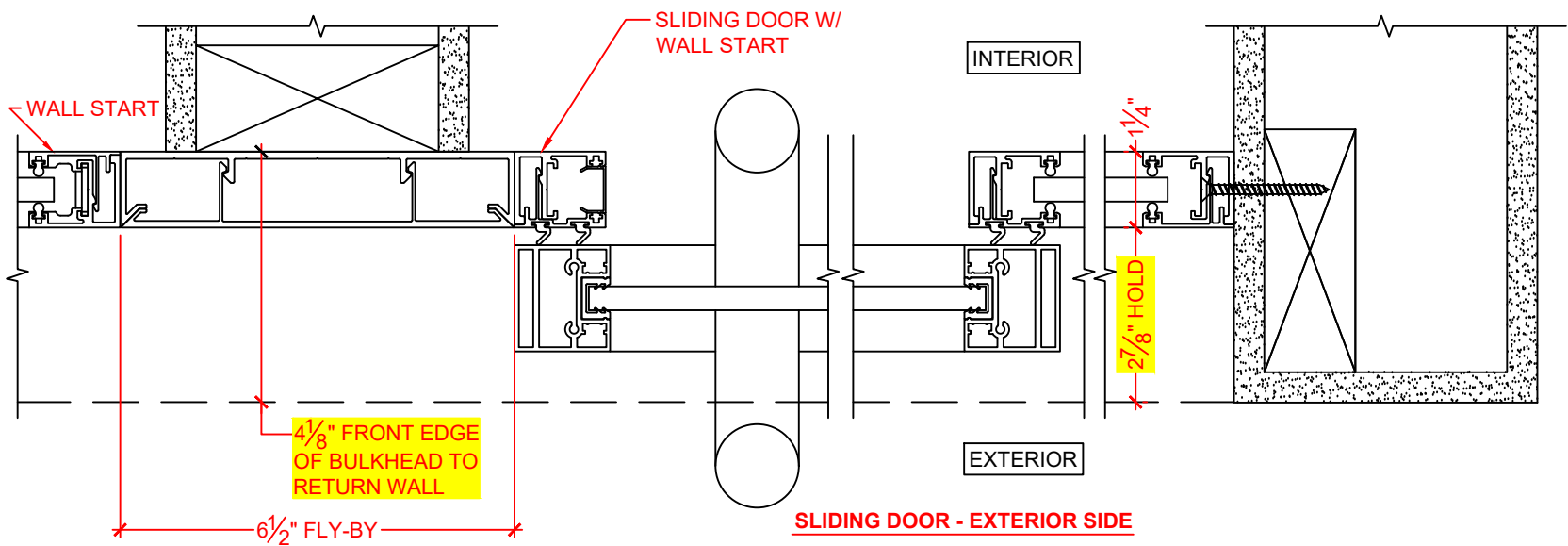
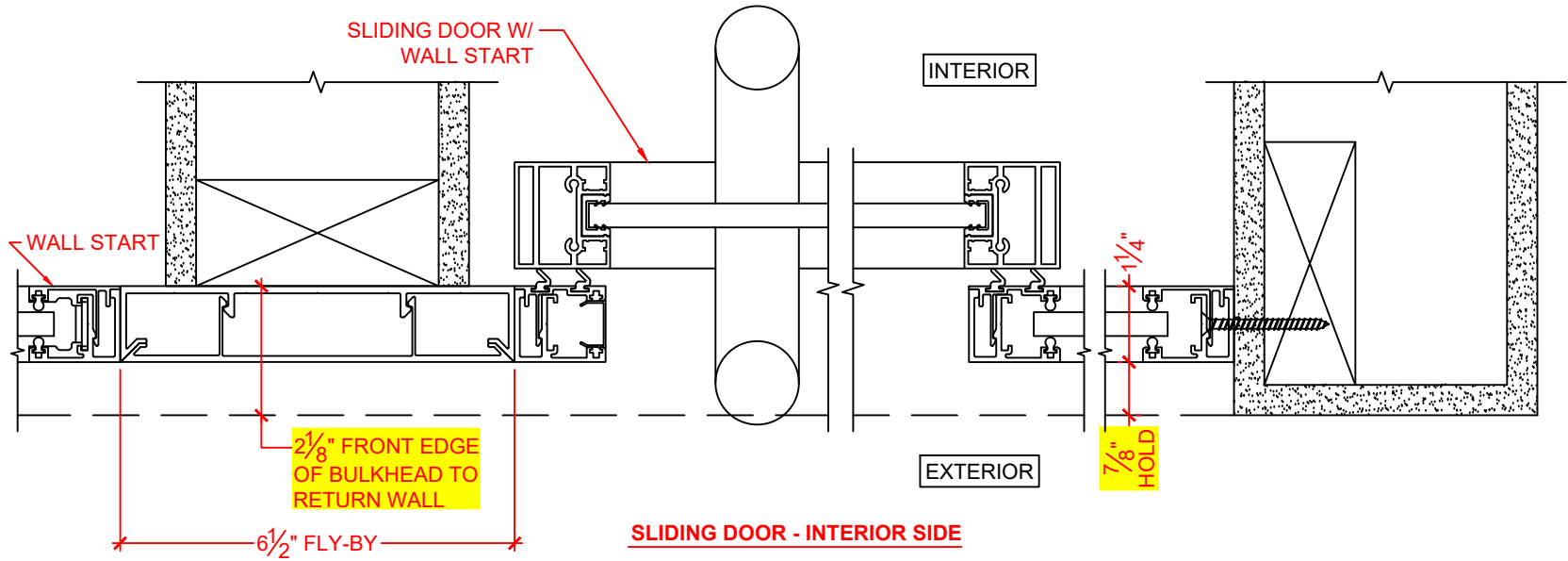
M SECTION
A26

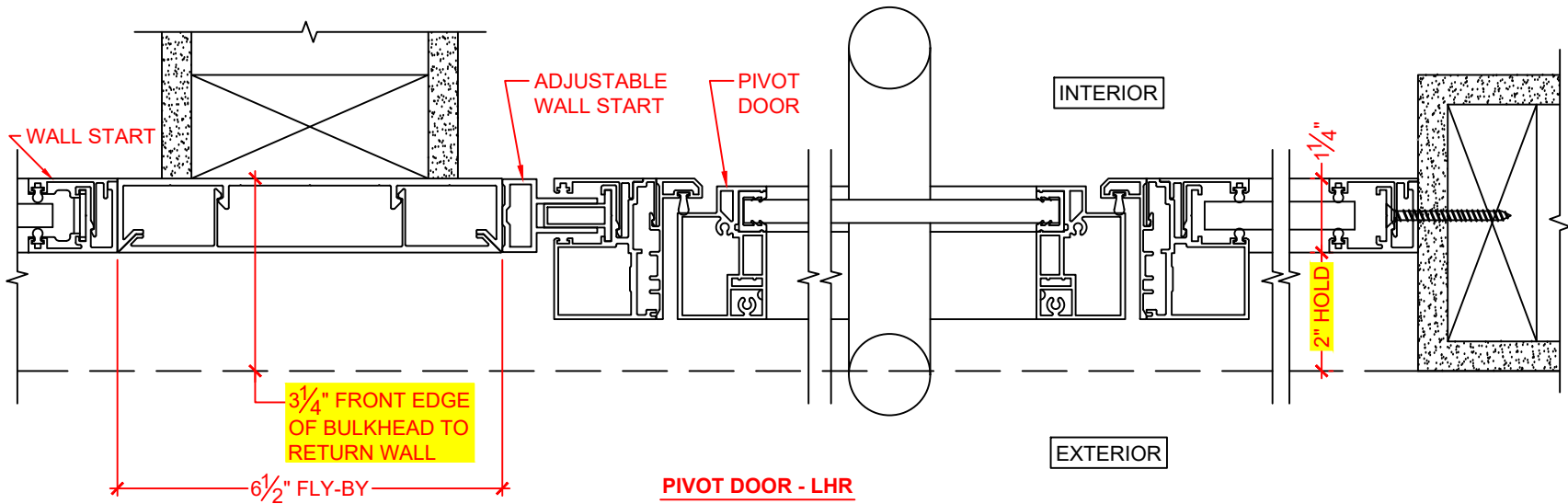
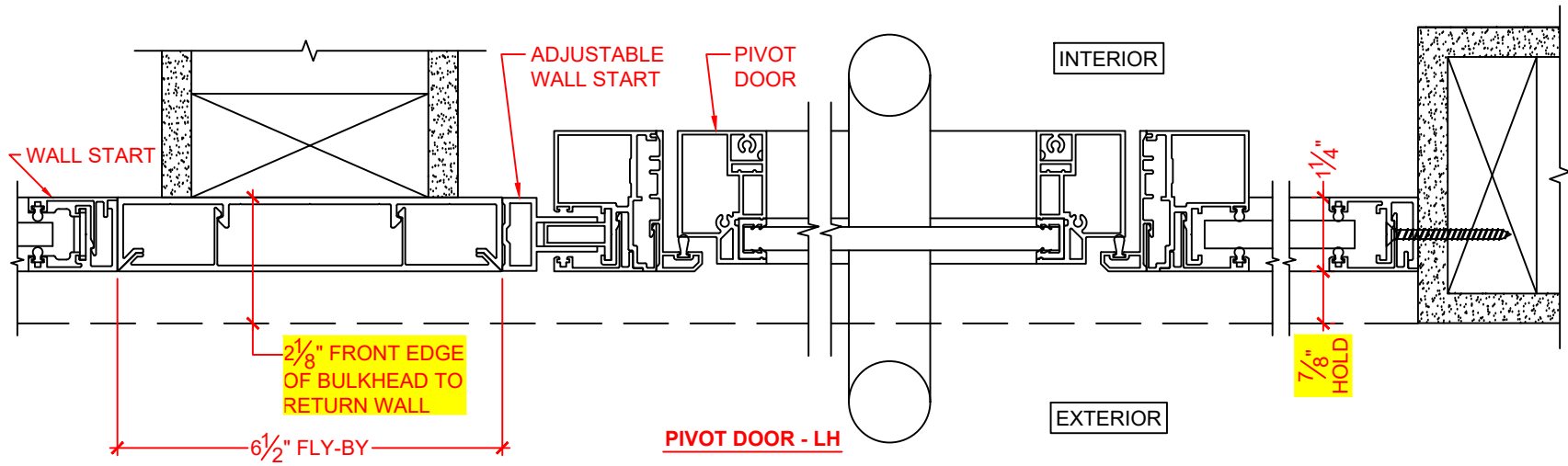


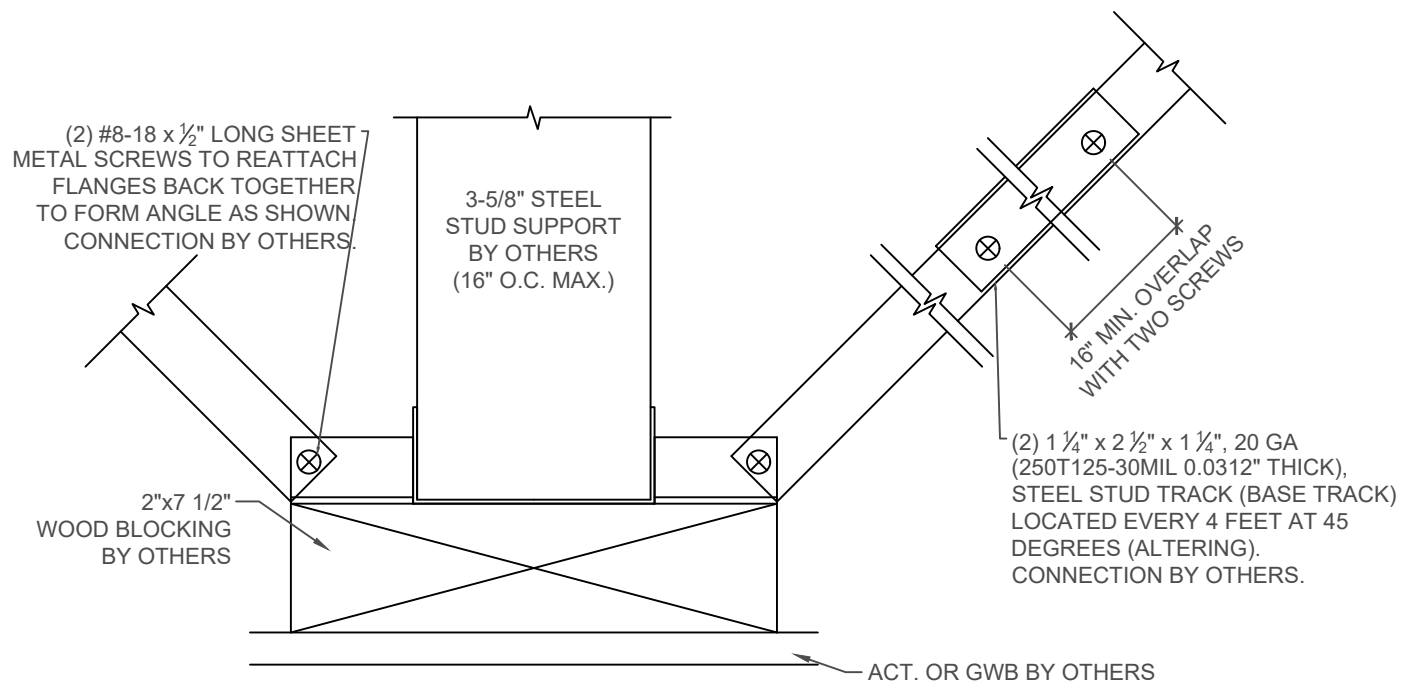




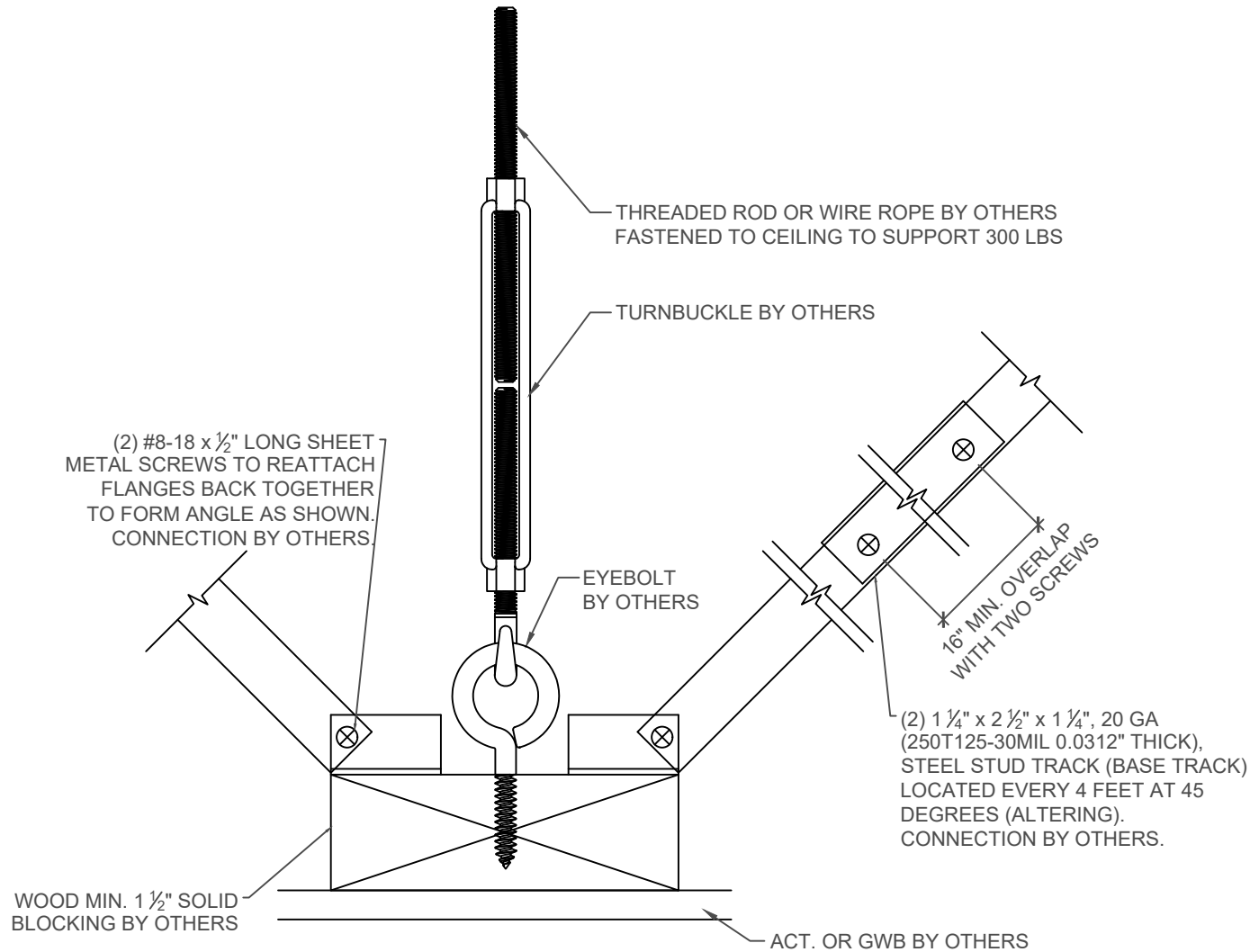








SECTION
OPTION 1



SECTION
OPTION 2